



AMERICANA

OUTDOORS

Elements for Life *Outside.*[™]
SHADE • SHELTER • SPORT • SITE



WWW.AMERICANA.COM

Who We Are

Americana is a family-owned company making high-quality recreational amenities for communities across the country. Our products are American-made and engineered to meet the demands of outdoor living. From shelters and seating to sports equipment, Americana offers architects, general contractors and other clients a full range of beautiful and fully customizable furnishings to create a complete outdoor environment that helps communities *work, play and live better.*

Pillars of Distinction



Engineered for Outdoor Living

We build products for every climate, every terrain and every purpose to meet the demands of outdoor living.



Shaping an Entire Outdoor Experience

From shelters and seating to sports equipment, Americana creates complete outdoor environments that enhance the quality of life for communities, promoting productivity, leisure, and well-being.



Providing Service that Comes Naturally

At Americana everyone is family and our clients are friends. When you care about the people around you and love what you do, great and knowledgeable service just comes naturally.



2024 Edition

Contents

- 02 **Who We Are**
- 03 **Index**
- 04 **Featured Projects**
- 10 **Hip Roof Shelters**
- 12 **Monoslope Shelters**
- 16 **Split Roof Shelters**
- 18 **Gable Roof Shelters**
- 26 **Gazebo Shelters**
- 30 **Entryway Shelters**
- 36 **Walkway Shelters**
- 38 **Cantilever Shelters**
- 40 **Shade Shelters**
- 44 **Options & Accessories**
- 50 **Warranty**
- 51 **Site Furnishings**



Featured Project:
The Civic Green
Yorktown, Indiana



From Above

In the heart of downtown, Civic Green offers increased foot traffic to local business owners and better proximity to amenities for residents. With a shade/performance structure and a sensory plaza with misters and lights, Civic Green is a versatile space that can be enjoyed by residents of all ages.



Project Team

- Dealer(s): Commercial Recreation Group, Myers Construction Management
- Architect(s): Context Design, US Architects
- Engineer(s): Mark Peradotti



Products

- (2) 15' x 23.5' Single Mono-Slope Illini Shelters
- (2) 30 x 23.5' Double Mono-Slope Illini Shelters
- (1) 20 x 30 Single Mono-Slope Illini Shelter



Challenges

Civic Green is one of the most recent projects completed by Americana Outdoors, it provided us with new challenges to bring our manufacturing & engineering skills to the next level. This site features our brand new Mono Slope Illini Shelters, bringing new form and function to one of our most popular products.



Featured Project:

Utica Park Covid-19 Memorial

Frederick, Maryland



From Above

Utica Park, located in the lovely city of Frederick Maryland is now home to a unique and breathtaking Covid 19 Memorial. This memorial is a place where the community can remember those people who have died as a result of the COVID-19 pandemic, but also recognize those who may be suffering from long term impacts of COVID. It is a peaceful place to sit, relax, and reflect.



Project Team

- Dealer(s): Green Site, LLC
- Engineer(s): Mark Peradotti, Alex Yarbrough



Products

(1) 6x26' Custom Artisan Series Pergolas



Challenges

Given the parameters and footprint of this location, we were approached with the idea of a curve Pergola to fit the space. This was extremely difficult given the fact that curved structures such as this usually span much further distances, making the curve much less intense. After a lengthy design process, our engineers and skilled craftsman developed a 3x8 curved steel beam to match the specifications needed. Resulting in a very compact, elegant, and beautiful structure.

In remembrance
of those who died
from COVID-19
and those who
suffered long-term
impacts from the
pandemic.



Featured Project:

GORC Park

Odenton, Maryland



From Above

GORC Park in Odenton, Maryland, where family fun takes center stage! Following renovations in 2021, the park now features two charming pavilions as its focal point, providing a perfect spot for picnics and gatherings. The surrounding playground area boasts a variety of exciting play equipment, including swings, climbing structures, slides, and more.



Project Team

- Dealer(s): Green Site, LLC
- Engineer(s): Mark Peradotti, Alex Yarbrough



Products

- (1) 16' Diameter Aztec Shelter
- (1) 24x48' Extended Navajo Shelter



Challenges

The layout and limited space at GORC Park necessitated meticulous planning to incorporate the pavilions while preserving the integrity of other recreational zones. Furthermore, a top priority was ensuring the pavilions seamlessly blended with the park's natural environment and overall aesthetics. Efficient management of construction logistics, encompassing site access and materials delivery, was vital to minimize inconvenience to park-goers. In overcoming these hurdles, the addition of the pavilions has significantly enhanced GORC Park's offerings, offering the community valuable gathering spaces to relish.



Hip Roof Shelters



Navajo & Mojave Series

The Navajo and Mojave shelters offer sleek, dependable coverage in any outdoor setting. Designed with simplicity in mind by our expert engineers, these shelters seamlessly integrate into a variety of projects.

Sizes: 12x12' minimum, extended sizes up to 40x60'.

Roof Pitch: Standard 4/12.

Optional Roof Pitch: 6/12.

Structure: Four sided pre-fabricated, powder coated steel frame.

Frame: Tubular Steel.

Standard Roof System:

Navajo Model - 24" Aluminum "W" Panel with Extruded Aluminum Gutters.

Mojave Model - 36" Galvalume "R" panel with Aluminum Edge Trim, or Optional Gutter.

Optional Roof System:

18" Galvalume Standing Seam Panel with Extruded Aluminum Gutters, or Edge Trim with T&G Wood.

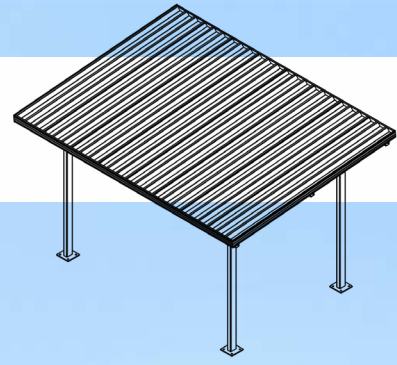
8" Aluminum Roll Formed Flat Panel with Extruded Aluminum Gutters.

Tongue & Groove Wood with Shingles.

Add-On Accessories: Cupola, double tier roof, dutch hip roof, steel railing.



Monoslope Shelters



Monoslope Shelters

Presenting the Americana Monoslope Shelter: Enjoy modern, stylish defense in any outdoor setting with its unique monoslope architecture. Our expert engineers have devised an elegant, effortlessly adaptable shelter that harmoniously complements an array of projects.

Sizes: Ranging from 6-50' wide and 12-84' long.

Roof Pitch: Standard 1/12.

Optional Roof Pitch: 1/12 - 5/12.

Structure: Four sided pre-fabricated, powder coated steel frame.

Frame: Tubular Steel.

Standard Roof System:

24" Aluminum "W" Panel with Extruded Aluminum Gutters.

Optional Roof System:

36" Galvalume "R" panel with Aluminum Edge Trim, or Optional Gutter.

18" Galvalume Standing Seam Panel with Extruded Aluminum Gutters, or Edge Trim with T&G Wood.

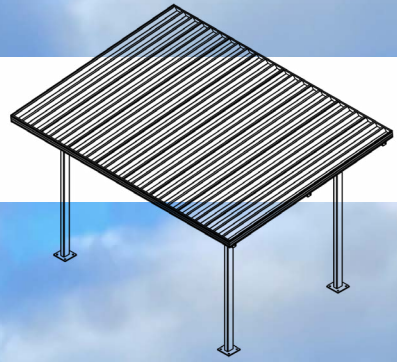
8" Aluminum Roll Formed Flat Panel with Extruded Aluminum Gutters.

Tongue & Groove Wood with Shingles.

Add-On Accessories: Steel railing.



Monoslope Shelters



Algonquin Series

If you are looking for a shelter that provides a simple and sleek shade solution for your space, the Algonquin shelter could be the perfect choice for you. This shelter is designed to meet the needs of spaces that require basic shade solutions without compromising on style.

Sizes: Ranging from 10-12' wide and 10-24' long.

Structure: Pre-fabricated, powder coated Aluminum components.

Frame: Extruded Aluminum.

Standard Roof System:

24" Aluminum "W" Panel with Extruded Aluminum Gutters.

Optional Roof System:

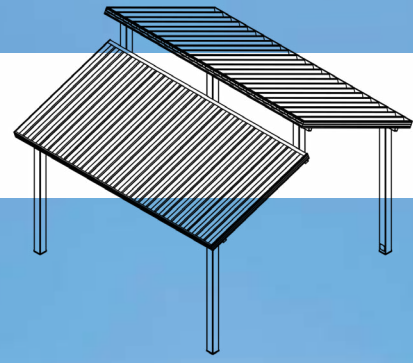
8" Aluminum Roll Formed Flat Panel with Extruded Aluminum Gutters.

3" thick Insulated Aluminum Faced Panel with Edge Trim.

Add-On Accessories: Steel railing.



Split Roof Shelters



Split Roof Shelters

Presenting the Americana Split Roof Shelter: A striking and functional addition to any outdoor space. Its unique split roof design offers ample coverage while promoting natural airflow, making it perfect for parks, recreational areas, and community gatherings.

Sizes: Ranging from 6-50' wide and 12-84' long.

Roof Pitch: Standard 4/12.

Optional Roof Pitch: 1/12 - 12/12.

Structure: Four sided pre-fabricated, powder coated steel frame.

Frame: Tubular Steel.

Standard Roof System:

24" Aluminum "W" Panel with Extruded Aluminum Gutters.

Optional Roof System:

36" Galvalume "R" panel with Aluminum Edge Trim, or Optional Gutter.

18" Galvalume Standing Seam Panel with Extruded Aluminum Gutters, or Edge Trim with T&G Wood.

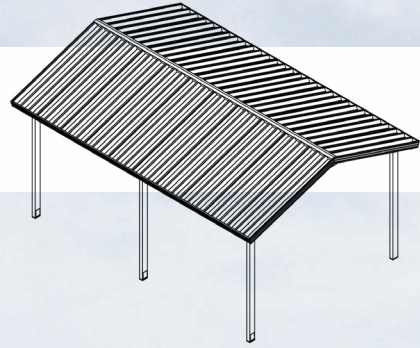
8" Aluminum Roll Formed Flat Panel with Extruded Aluminum Gutters.

Tongue & Groove Wood with Shingles.

Add-On Accessories: Steel railing.



Gable Roof Shelters



Illini Series

Gable roof shelters rank among the top choices for various applications, including city and community parks, educational institutions, rest stops, as well as residential and commercial endeavors. With sizes spanning from a modest 6' x 12' to a generous 50' x 84', these shelters offer versatile dimensions to suit your needs.

Sizes: Ranging from 6-60' wide and 12-84' long.

Roof Pitch: Standard 4/12.

Optional Roof Pitch: 1/12 - 12/12.

Structure: Four sided pre-fabricated, powder coated steel frame.

Frame: Tubular Steel.

Standard Roof System:

24" Aluminum "W" Panel with Extruded Aluminum Gutters.

Optional Roof System:

36" Galvalume "R" panel with Aluminum Edge Trim, or Optional Gutter.

18" Galvalume Standing Seam Panel with Extruded Aluminum Gutters, or Edge Trim with T&G Wood.

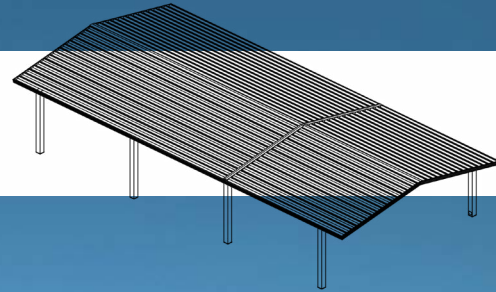
8" Aluminum Roll Formed Flat Panel with Extruded Aluminum Gutters.

Tongue & Groove Wood with Shingles.

Add-On Accessories: Steel railing.



Gable Roof Shelters



Meramec (DSA) Series

For spaces in need of straightforward shelter, the Meramec is the perfect solution. A classic gable roof design allows the Meramec to be installed in any outdoor environment to provide protection from the elements without detracting from the natural beauty of the space.

Sizes: Ranging from 20-41' wide and 20-54' long.

Roof Pitch: Standard 3/12.

Structure: Four sided pre-fabricated, powder coated steel frame.

Frame: Tubular Steel.

Standard Roof System:

24" Aluminum "W" Panel with Extruded Aluminum Gutters.

Optional Roof System:

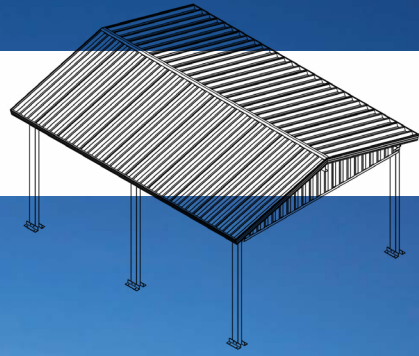
3" thick Insulated Aluminum Faced Panel with Edge Trim.

Tongue & Groove Wood with Shingles.

Add-On Accessories: Steel railing



Gable Roof Shelters



Colonial Series

The Colonial is a sophisticated take on a standard gable roof shelter, with an all-aluminum design, making it perfect for coastal regions. In addition, the gable fill makes this shelter particularly attractive both as a standalone shelter and attached to the façade of building.

Sizes: Ranging from 12-22' wide and 20-40' long.

Roof Pitch: Standard 3/12.

Structure: Pre-fabricated, powder coated Aluminum components.

Frame: Tubular Aluminum.

Standard Roof System:

24" Aluminum "W" Panel with Extruded Aluminum Gutters.

Optional Roof System:

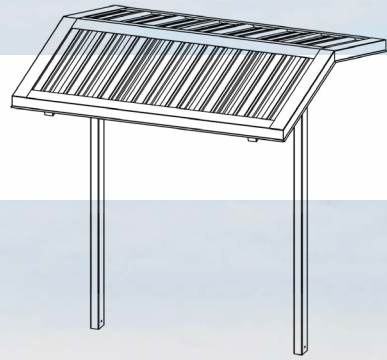
8" Aluminum Roll Formed Flat Panel with Extruded Aluminum Gutters.

3" thick Insulated Aluminum Faced Panel with Edge Trim.

Add-On Accessories: Aluminum Gable Fill kit is included.



Gable Roof Shelters



Cherokee Series

Americana Outdoors' Cherokee provides a mix of functionality and shelter, with its double posts acting as a mount for a display board, bench, or table, while also supporting an aluminum roof.

Sizes: Ranging from 8-12' wide and 8-12' long.

Roof Pitch: Standard 3/12.

Structure: Pre-fabricated, powder coated Steel Frame.

Frame: Tubular Steel, or Extruded Aluminum.

Standard Roof System:

24" Aluminum "W" Panel with Extruded Aluminum Gutters.

Optional Roof System:

36" Galvalume "R" panel with Aluminum Edge Trim, or Optional Gutter.

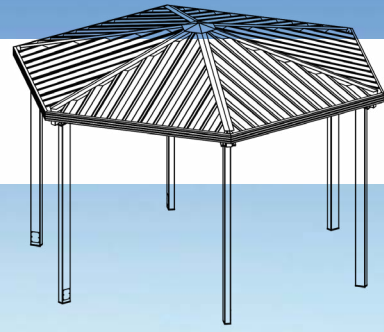
18" Galvalume Standing Seam Panel with Extruded Aluminum Gutters, or Edge Trim with T&G Wood.

8" Aluminum Roll Formed Flat Panel with Extruded Aluminum Gutters.

Add-On Accessories: Bulletin boards, bench, table & bench, double bench.



Gazebo Shelters



Apache Series

The Apache is Americana's most popular gazebo style shelter, due to the large range of size, style, and color options available. Featuring a six sided design, supported by six posts as standard, with a single post option available.

Sizes: 16-44' Diameter.

Roof Pitch: Standard 3/12.

Optional Roof Pitch: 4/12 - 8/12.

Structure: Hexagonal design, pre-fabricated, powder coated Steel frame.

Frame: Tubular Steel.

Standard Roof System:

24" Aluminum "W" Panel with Extruded Aluminum Gutters.

Optional Roof System:

36" Galvalume "R" panel with Aluminum Edge Trim, or Optional Gutter.

18" Galvalume Standing Seam Panel with Extruded Aluminum Gutters, or Edge Trim with T&G Wood.

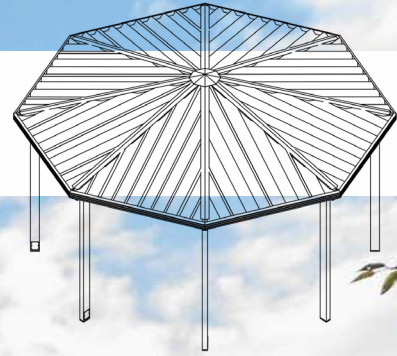
8" Aluminum Roll Formed Flat Panel with Extruded Aluminum Gutters.

Tongue & Groove Wood with Shingles.

Add-On Accessories: Cupola, Double Tier Roof, Steel Railing, Benches.



Gazebo Shelters



Aztec Series

The Aztec shelter delivers expansive coverage with a sleek design. Featuring Americana's patented "W" roofing panels, the eight-sided roof boasts enhanced rigidity and capability, requiring fewer panels than competitors' systems.

Sizes: 16-54' Diameter.

Roof Pitch: Standard 3/12.

Optional Roof Pitch: 4/12 - 8/12.

Structure: Octagonal design, pre-fabricated, powder coated Steel frame.

Frame: Tubular Steel.

Standard Roof System:

24" Aluminum "W" Panel with Extruded Aluminum Gutters.

Optional Roof System:

36" Galvalume "R" panel with Aluminum Edge Trim, or Optional Gutter.

18" Galvalume Standing Seam Panel with Extruded Aluminum Gutters, or Edge Trim with T&G Wood.

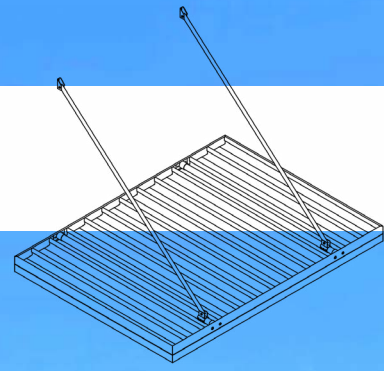
8" Aluminum Roll Formed Flat Panel with Extruded Aluminum Gutters.

Tongue & Groove Wood with Shingles.

Add-On Accessories: Cupola, Double & Triple Tier Roof, Steel Railing, Benches.



Entryway Shelters



Imperial Hanger Rod Canopy Series

Imperial Hanger Rod Canopies are designed to elegantly cover building entryways. This sophisticated canopy offers protection from the elements while enhancing curb appeal. Expertly crafted and durable, the Imperial is a stylish and functional addition to any entrance, ensuring a welcoming experience for visitors and occupants alike.

Sizes: Ranging from 2' 6"-10' projection and 4'-25'+ wide. Widths upwards of 1000'+ with splices.

Structure: Pre-fabricated, powder coated Aluminum components.

Gutters / Fascia: Extruded Aluminum, 6", 8", or 12" fascia with 4" gutter.

Standard Roof System:

24" Aluminum "W" Panel with Extruded Aluminum Gutters.

Optional Roof System:

6" Aluminum Extruded Flat Panel, with Extruded Aluminum Gutters.

8" Aluminum Roll Formed Flat Panel with Extruded Aluminum Gutters.

10" Aluminum Roll Formed "V" panel.

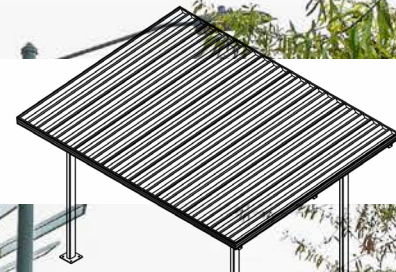
1.5" square Aluminum Extruded Lattice.

Supports: Overhead "Hanger Rod" braces.

Add-On Accessories: Crown Molding.



Entryway Shelters



Imperial Post Supported Canopy Series

Imperial Post Supported Canopies are designed to elegantly cover building entryways. This sophisticated canopy offers protection from the elements while enhancing curb appeal. Expertly crafted and durable, the Imperial is a stylish and functional addition to any entrance, ensuring a welcoming experience for visitors and occupants alike.

Sizes: Ranging from 2' 6"-10' projection and 4'-25'+ wide. Widths upwards of 1000'+ with splices.

Structure: Pre-fabricated, powder coated Aluminum components.

Gutters / Fascia: Extruded Aluminum, 6", 8", or 12" fascia with 4" gutter.

Standard Roof System:

24" Aluminum "W" Panel with Extruded Aluminum Gutters.

Optional Roof System:

6" Aluminum Extruded Flat Panel, with Extruded Aluminum Gutters.

8" Aluminum Roll Formed Flat Panel with Extruded Aluminum Gutters.

10" Aluminum Roll Formed "V" panel.

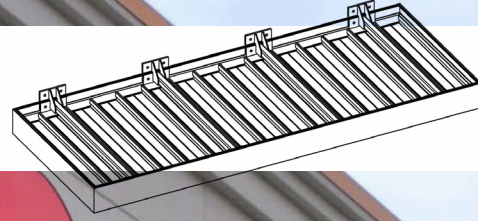
1.5" square Aluminum Extruded Lattice.

Supports: Extruded Aluminum Posts.

Add-On Accessories: Crown Molding.



Entryway Shelters



Imperial Cantilever Canopy Series

Imperial Cantilever Canopies are designed to elegantly cover building entryways without any visible supports, providing a "floating" stylization. This sophisticated canopy offers protection from the elements while enhancing curb appeal. Expertly crafted and durable, the Imperial is a stylish and functional addition to any entrance, ensuring a welcoming experience for visitors and occupants alike.

Sizes: Ranging from 2' 6"-10' projection and 4'-25'+ wide. Widths upwards of 1000'+ with splices.

Structure: Pre-fabricated, powder coated Aluminum components.

Gutters / Fascia: Extruded Aluminum, 6", 8", or 12" fascia with 4" gutter.

Standard Roof System:

24" Aluminum "W" Panel with Extruded Aluminum Gutters.

Optional Roof System:

6" Aluminum Extruded Flat Panel, with Extruded Aluminum Gutters.

8" Aluminum Roll Formed Flat Panel with Extruded Aluminum Gutters.

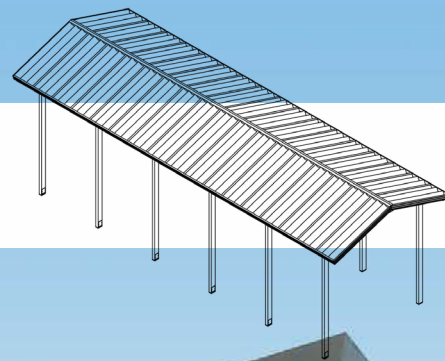
10" Aluminum Roll Formed "V" panel.

Supports: "Hidden" Cantilever Mounts.

Add-On Accessories: Crown Molding.



Walkway Shelters



Walkway Shelters

Whether you need to protect your guests from the sun, rain, or snow, our Walkway Shelters are the perfect solution. With a range of sizes, styles, and colors to choose from, we're confident that we have the perfect shelter to suit your needs.

Sizes: Ranging from 6-50' wide and 10-80' long.

Roof Pitch: Varies depending on structure needs.

Structure: Pre-fabricated, powder coated Steel components.

Frame: Tubular Steel.

Standard Roof System:

24" Aluminum "W" Panel with Extruded Aluminum Gutters.

Optional Roof System:

36" Galvalume "R" panel with Aluminum Edge Trim, or Optional Gutter.

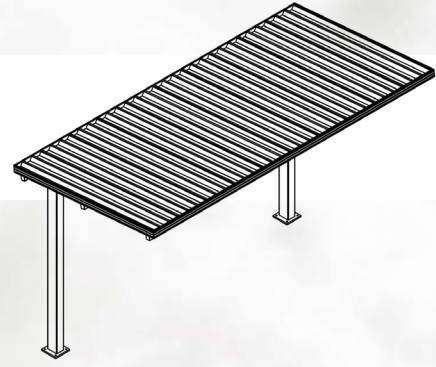
8" Aluminum Roll Formed Flat Panel with Extruded Aluminum Gutters.

6" Aluminum Extruded Flat Panel, with Extruded Aluminum Gutters.

Add-On Accessories: Steel railing.



Cantilever Shelters



Shawnee Series

Shawnee Shelters are designed with dugouts specifically in mind, giving you a product that will keep your team protected no matter the weather on game day. Our project managers work with customers to create a perfect sized Shawnee for any sport site needs.

Sizes: Varies depending on application and structure needs.

Structure: Pre-fabricated, powder coated steel frame.

Frame: Tubular Steel.

Standard Roof System:

24" Aluminum "W" Panel with Extruded Aluminum Gutters.

Optional Roof System:

36" Galvalume "R" panel with Aluminum Edge Trim, or Optional Gutter.

18" Galvalume Standing Seam Panel with Extruded Aluminum Gutters, or Edge Trim with T&G Wood.

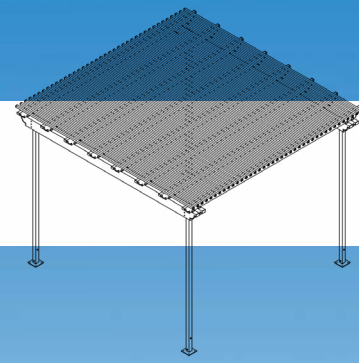
8" Aluminum Roll Formed Flat Panel with Extruded Aluminum Gutters.

Tongue & Groove Wood with Shingles.

Add-On Accessories: Steel railing, Extruded Aluminum Benches/Bleachers.



Shade Shelters



Pergola Series

The Americana Outdoors® line of pergola products are the perfect addition to any outdoor environment. The timeless, elegant design complements any exterior space, adding the ideal amount of shade, while not obstructing your view of nature. Our pergolas are available in multiple sizes and colors to best serve your space.

Sizes: Custom designed to fit your application.

Structure: Pre-fabricated, powder coated Aluminum components.

Frame: Tubular Steel or Extruded Aluminum.

Header Options:

Curved, or Straight Steel

Extruded Aluminum

3x8" Wood Grain Embossed Aluminum

Roof Options:

Wood Grain Embossed Aluminum Lattice

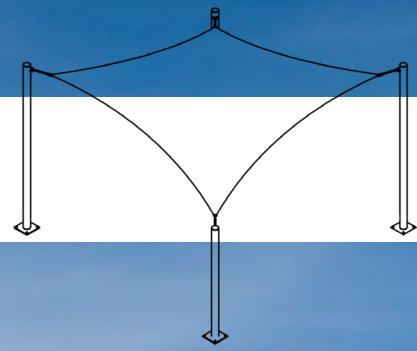
Round Extruded Aluminum Tubes

Laser Cut Aluminum Panels (Multiple Designs Available).

Add-On Accessories: Fabric Drapes, Roll-Up Curtains.



Shade Shelters



Shade Sail Series

The Americana Outdoors® line of pergola products are the perfect addition to any outdoor environment. The timeless, elegant design complements any exterior space, adding the ideal amount of shade, while not obstructing your view of nature. Our pergolas are available in multiple sizes and colors to best serve your space.

Sizes: Custom designed to fit your application.

Structure: Pre-fabricated, powder coated Steel components.

Frame: Tubular Steel.

Fabric: Maintenance-free high strength 100% HDPE round yarn.

Fabric Top: Designed to withstand high winds.

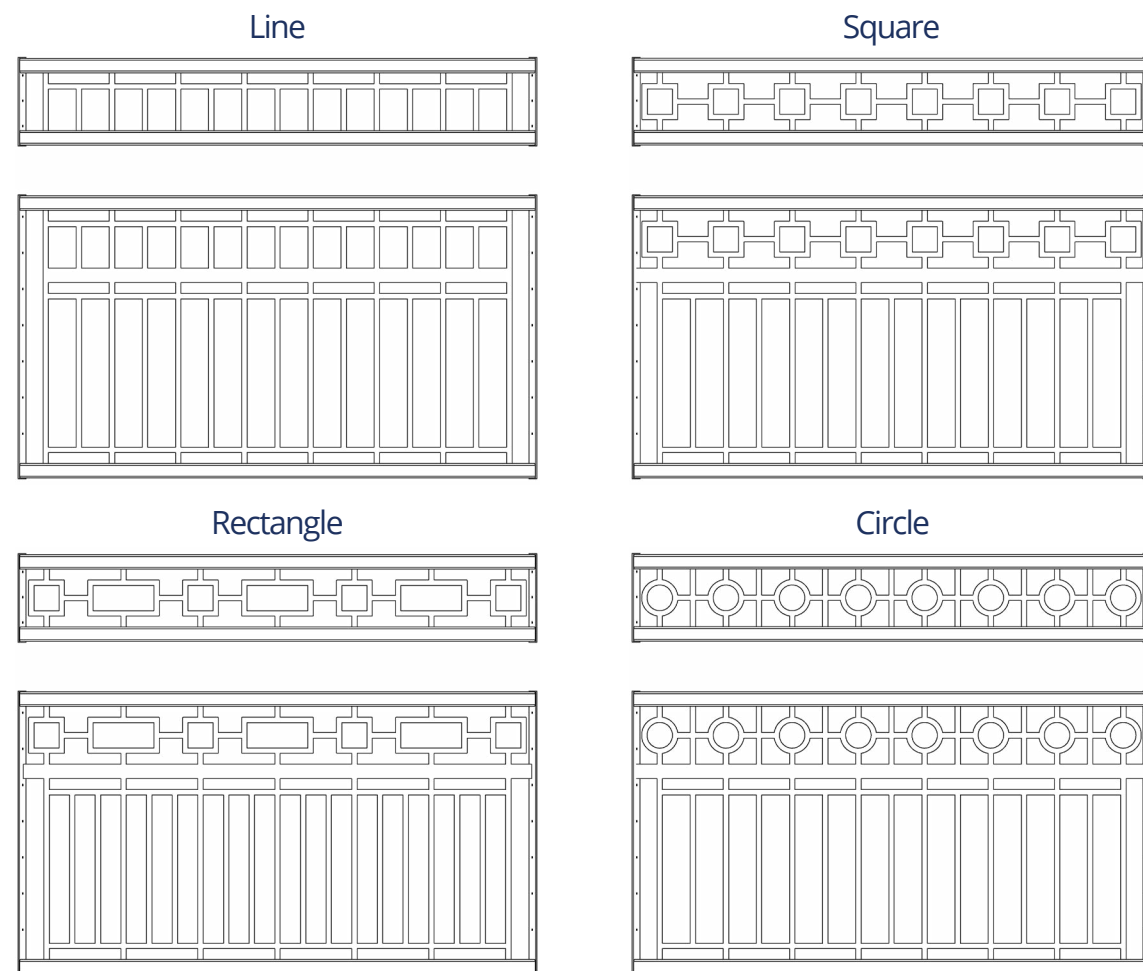
Optional Roof Options: 10 Vibrant colors available.





Railing Options

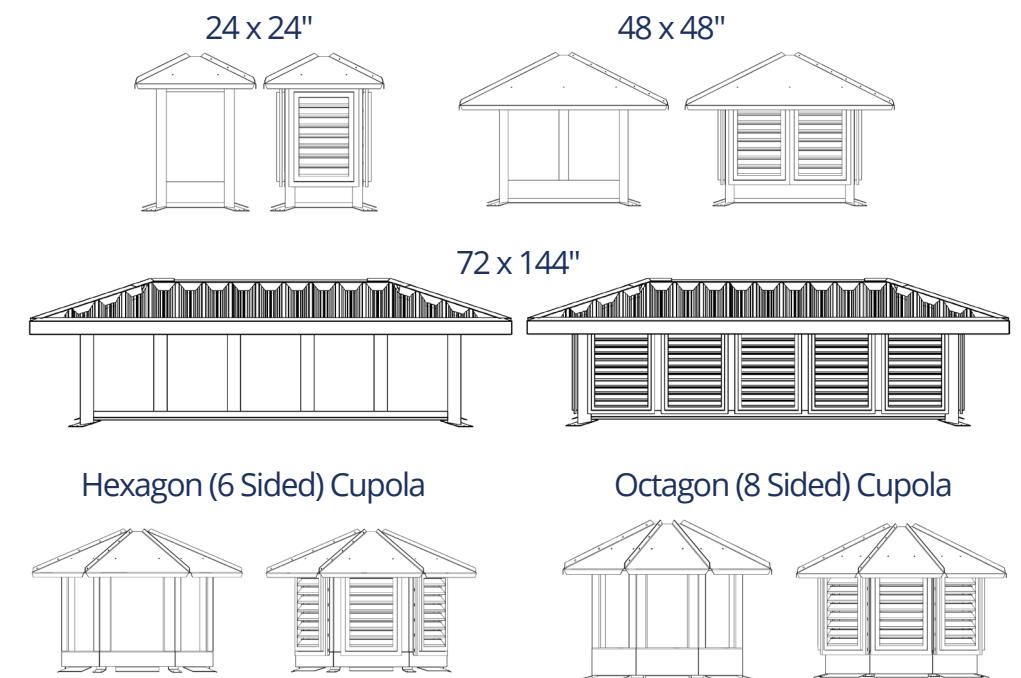
Railings are a great way to add a unique touch to your structure and can be incorporated into most designs. There are several standard designs available, inspired by common architectural styles, and customized designs are available to suit your project's needs. Top Railings are 12" tall, Bottom Railings are 42" tall, made from 3/16" thick steel.



Cupola, Clerestory, & Gable Options

Our Cupolas, Clerestories, & Gables are designed to add natural light, ventilation, and a touch of elegance to your shelter. The Cupolas come standard with an Open design, or an optional Louvered panel. We also offer a fully customizable, laser cut panel option for the Cupolas, Clerestories, & Gables. Which is ideal for displaying logos, affiliations, or project sponsors.

Cupola Options



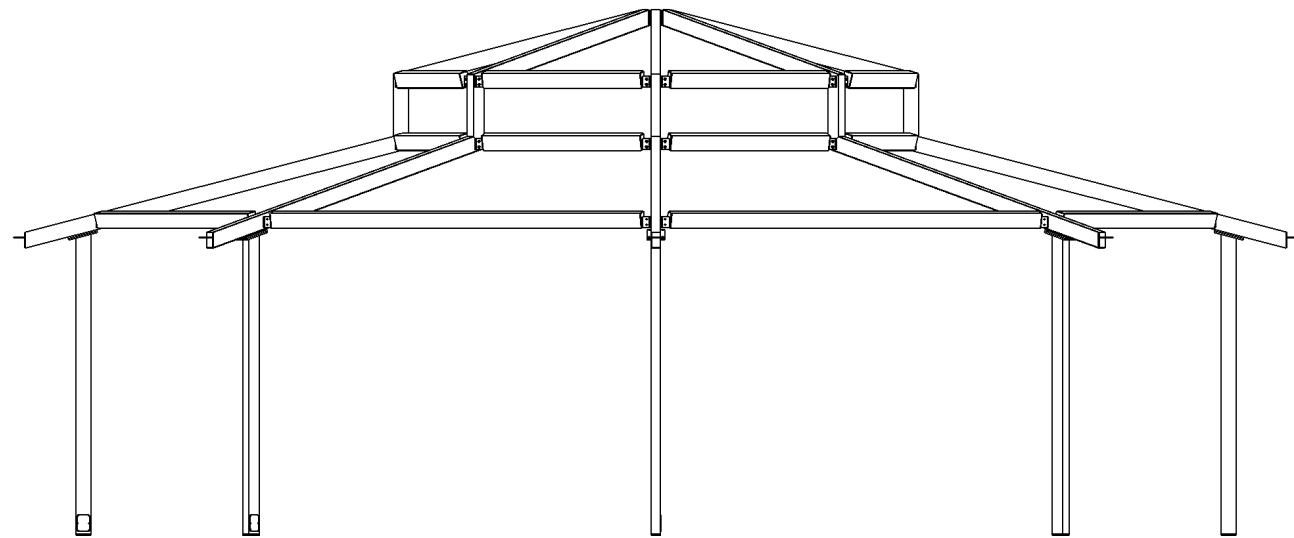
Clerestory & Gable Examples



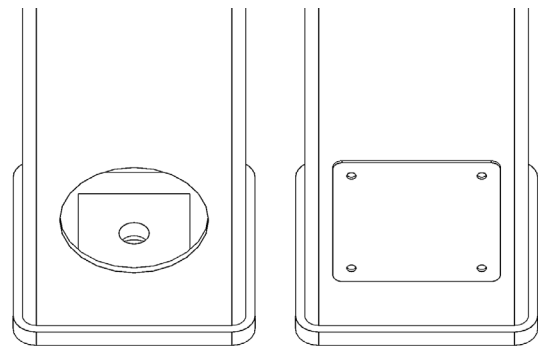


Frame & Post Style

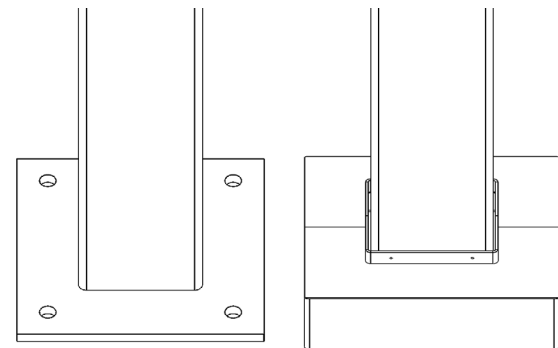
Americana Shelters feature American-made steel tubular frames, pre-drilled for easy bolt-together assembly, and detailed instructions that reduce installation costs. Fasteners are zinc-plated, galvanized, or stainless steel to prevent rust and stains.



Standard Post Base Plate Connections



Internal Anchor Bolt with Cover Plate



External Anchor Bolts with Optional Cover

Roof Panel Colors & Options

We take great pride in producing a majority of our roof panel options in-house, which gives us complete control over the quality and production schedule. By doing so, we are able to provide our customers with top-notch products while also passing on cost savings.

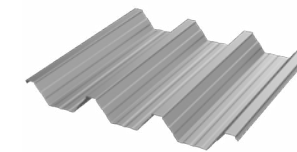
24" Aluminum Structural "W" Panel

Features:

Structural roof panel designed to limit the amount rafters & purlins per structure.

Best overall value when comparing cost & strength.

Gutters are included for water erosion management.



Coverage Width - 24"
Minimum Slope - 1/2:12
Thickness - .038" & .024" (560 Anodized Only)
Finish - Stucco Embossed
Coatings - DuraCoat XT40 Ceranamel
Rib Spacing - 8" on center
Rib Height - 2-1/2"

Compatible with all model shelters except for Pergola



36" Galvalume® 26 Gauge "R" Panel

Features:

Flush fit for a cleaner, sleeker appearance.

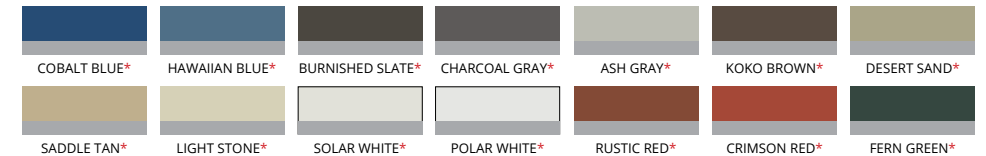
Designed to deter bird roosting.

Edge trim is included for a simple & flawless finish.



Coverage Width - 36"
Minimum Slope - 1/2:12
Gauge - 26
Finish - Smooth
Coatings - Siliconized Polyester
Rib Spacing - 12" on center
Rib Height - 1-1/4"

Compatible with all model shelters except for Meramec, Colonial & Pergola



Colors containing asterisks have a wash coat bottom side

18" Galvalume® 24 Gauge Standing Seam Panel

Features:

Flush fit for a cleaner, sleeker appearance.

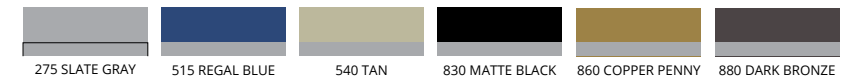
Designed to deter bird roosting.

Gutters are included for water erosion management. Edge trim is standard with tongue and groove wood substructures applications.



Coverage Width - 18"
Minimum Slope - 1/2:12
Gauge - 24
Finish - Smooth
Coatings - Siliconized Polyester
Rib Spacing - N/A
Rib Height - 1-3/4"

Compatible with all model shelters except for Meramec, Colonial, & Pergola



Each color has a wash coat on the underside, paired with an inked date stamp for manufacturer warranty verification.



Roof Panel Colors & Options

We take great pride in producing a majority of our roof panel options in-house, which gives us complete control over the quality and production schedule. By doing so, we are able to provide our customers with top-notch products while also passing on cost savings

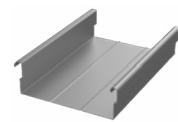
8" Aluminum Structural Flat Panel

Features:

Flush fit for a cleaner, sleeker appearance.

—
Designed to deter bird roosting.

—
Gutters are included for water erosion management.



Coverage Width - 8"
Minimum Slope - 1/2:12
Thickness - .024", .032", & .040"
Finish - Smooth Matte Finish
Coatings - DuraCoat XT40 Ceranamel
Rib Spacing - N/A
Rib Height - 2-5/8"

Compatible with all model shelters except for Meramec & Pergola



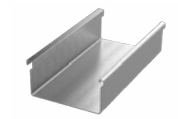
6" Aluminum Extruded Flat Panel

Features:

Flush fit for a cleaner, sleeker appearance.

—
Designed to deter bird roosting.

—
Gutters are included for water erosion management.



Coverage Width - 6"
Minimum Slope - 1/2:12
Thickness - .065"
Finish - Smooth Gloss Finish
Coatings - Super Durable Polyester
Rib Spacing - N/A
Rib Height - 2-7/8"

Compatible only with Walkways & Entry Covers



Powder coat finish available in all frame colors. Full RAL color palette available at additional cost.

3" Thick Insulated Aluminum Panel

White stucco finish with foam core

Features:

Insulated panels for noise and temperature control.

—
Flush fit for a cleaner, sleeker appearance.



Compatible with all model shelters except for Cherokee, Pergola, Walkways & Entry Covers

Tongue and Groove Wood



1) Southern Yellow Pine
2) Western Cedar

Utilized as sub roofing for shelters using the 18" standing seam panels or shingles.

Frame & Fabric Color Options

Our Americana Industrial Coatings division enables us to powdercoat all of our products in-house, setting us apart from our competitors. This grants us complete authority over pricing, quality, and production times, allowing us to transfer these benefits to our customers.

Super Durable Frame Color Options



Super Durable & Anti Graffiti Frame Color Options



Fabric Shelter Color Options



Sales & Installation Support

Design and engineering support and documentation to satisfy local requirements: Heavy Snow, Seismic, High Winds, Hail, Custom Designs & Sizes.

Average standard lead times are 6-8 weeks from receipt of approved order. Lead times may vary on design criteria.

Installation and sales support available M-F (8am-5pm) central standard time.

Since Americana is a custom manufacturer, non-standard items are routinely fabricated with no delays. Minimal extra charges may be incurred for engineering.

Warranty Terms

Lifetime Limited Warranty

Lifetime Limited Warranty on aluminum against material failure and corrosion.

25 Year Limited Warranty

25 Year Limited Warranty on steel against material failure and defects.

10 Year Limited Warranty

10 Year Limited Warranty on Sunbrella, Sheerweave, & Solamesh Fabrics

10 Year Limited Warranty on all powder coat finishes (200, 500 and 800 series).

With the use of Americana's 500 Series Anti-graffiti powder coat finish is guaranteed to allow removal of graffiti with virtually no change to the finish.

5 Year Limited Warranty

5 Year Limited Warranty on Soltis 86 fabrics.

1 Year Warranty

1 Year warranty against defects in materials and workmanship.

Period of Coverage:

The warranty period begins on the date of the original shipment.

What Americana Will Do To Correct Problems:

If defects or damage of the kind mentioned above should occur within the warranty period, Americana will replace the defective parts only; FOB its plant at Salem, Illinois, upon receiving the written and documented claim of the purchaser.

Warranty Exclusions:

Because of the normal aging and weathering of materials, it may not be possible to perfectly match the colors of original parts and replacement parts. Americana will not provide or pay for the installation of such replacement parts. Americana shall not be responsible for weather-related failures, damages due to faulty installation, misuse or abuse of the product, or for consequential damages, including personal injuries or property damages. There are no warranties, express, or implied, which extend beyond the description on the face hereof.

How To File A Warranty Claim:

If you believe that you have a claim under this warranty, submit a copy of your original receipt or other reasonable evidence of the date of purchase, the identity of the product, and photos and a description of the allegedly defective product to the address below. Please also include your name, address, and phone number so that a customer service representative can respond to your submission. The ultimate determination of the existence and extent of any claimed defect under this warranty shall be made by Americana in its sole discretion.

Submit Claims To:

Americana Outdoors, Inc, Warranty Claim
P.O. Box 1290
Salem, IL 62881



Looking for Premium Quality Site Furnishings to complement your new shelter? Do you need field or sports court equipment to help the games happen? PW Athletic & LA Steelcraft, subsidiaries of Americana Outdoors have you covered!

Our selections of various site furnishings and sports equipment are a perfect match to the craftsmanship and quality of the Americana Outdoors shelters. Like our shelter products, our site furnishings and sports equipment are 100% made in the U.S.A. and have the best warranties in the industry.

For more information give us a call on 1-888-442-2925 or visit our website at www.PWathletic.com or www.LASteelcraft.com



PO Box 1290, Salem IL 62881
1-800-851-0865, Fax: 1-618-548-2890
Sales@Americana.com
www.Americana.com



2024 SHELTER CATALOG



The logo for ICON Shelter Systems Inc. features the word "ICON" in a large, bold, black sans-serif font. A red curved line starts above the letter 'O' and sweeps over it. Below "ICON" is the text "Shelter Systems Inc" in a smaller, black sans-serif font.

ICON
Shelter Systems Inc

AN ICONIC
SHELTER
EXPERIENCE





AN ICONIC SHELTER EXPERIENCE



VOLUME IV

“The art of architecture studies not structure in itself, but the effect of structure on the human spirit.” Geoffrey Scott

- 2 OUR STORY**
- 3 THE ICON PROCESS**
- 5 QUALITY**
- 6 FEATURED PROJECTS**
 - Royal Oak | Grandville | Pearl Park | Elk Grove | Las Vegas Art District | Piscataway | Mackinac Island
- 20 STYLE GUIDES**
 - Structural Art | Ironworks | Craftsman | Filtered Light Panels | Swings | LiveShade | DSA Shelters
- 34 INDUSTRY STANDARD SHELTERS**
 - Squares | Hexagons | Octagons | Rectangle Gables | Rectangle Hips | Barrel Vaults | Intervals | Stretched Shelters | Dual Slope Shelters | Mono-Slopes | Mini-Shelters
- 47 OTHER STRUCTURES**
 - Bandshells | Partial Shade/Arbors | Entry Arches | Pedestrian Bridges | Mailbox Shelters | Clock Towers | Umbrella Shelters | Message Shelters | Fabric Shades
- 59 PICNIC TABLE CAPACITIES**
- 60 WARRANTY**
- 61 CUSTOMIZATIONS**
 - Weathervanes | Cupolas | Handrails and Ornamentation | Clocks | Emblems and Signs | Steel Roof Colors | Steel Frame Finishings | Powder Coat Colors

We Believe in Leadership by Innovation

ICON SHELTER SYSTEMS, INC. WAS STARTED IN 2004 BY A TEAM OF CREATIVE INDUSTRY EXPERTS IN HOLLAND, MI. WE BELIEVE IN LEADERSHIP BY INNOVATION. OUR ACCOMPLISHED EMPLOYEES HAVE COLLABORATED WITH RENOWNED DESIGN PROFESSIONALS TO TURN THEIR VISIONS INTO OUTDOOR REALITIES ALL OVER THE GLOBE.

Our commitment to customer relationships, personalized design services, and in-house engineering and manufacturing processes empower us to transform our customers' thoughts, dreams, and ideas into the most ICONIC shelter experiences in the world.



THE ICON PROCESS

1. Consultation

The first stage of our process begins with you... and deciding to fill a negative space with a creative and aesthetically pleasing statement to bring people together. Our ICON team of design specialists will schedule a consultation to meet with you one on one to curate and hone in on your goals, vision, and dreams for your structure.

2. Design Creation

Next comes the preliminary calculations and sketches. We connect the design features with engineering experts to develop a custom structure every time. Our engineers handle everything in-house from concept, to stamped engineered drawings to final project. Our world-class facility in Holland, Michigan, forges the steel which is finished with durable powder coating before being transported to its final site.

3. Installation

All ICON structures are pre-fabricated and pre-engineered under precise factory specifications, meaning when the shelter arrives onsite it is ready for an easy installation.

4. Enjoyment

Lastly, sit back and celebrate the rewards of transforming a space into a destination that brings people together. Whether it is a family picnic, community meeting, watching an outdoor performance or simply enjoying the outdoors, ICON is here to help you create lifetime memories.

ICON offers complete customization, from idea formulation to installation. We work hand in hand with professionals all over the country who design, build, and maintain public spaces. We strive to combine shade and art into striking structures that will stand the test of time.



DSA Structures

LET ICON HELP ENSURE YOUR STRUCTURE MEETS THE LATEST REGULATIONS AVAILABLE.

ICON is pleased to offer pre-approved and custom DSA (Division of the State Architect) shelters that comply with all structural and safety codes in the state of California.

Continuing Education

ICON IS PLEASED TO PARTNER WITH AEC DAILY TO PROVIDE CONTINUING EDUCATION UNITS (CEUS).

The self-paced course titled *Pre-Engineered/Manufactured Shelters: Standard and Custom Solutions for Outdoor Spaces* can be accessed by scanning the below QR code and watching the course at your leisure.



After the course, you will be able to:

1. Explain how outdoor shelters provide protection from the elements and add visual interest to outdoor spaces.
2. Describe how advances in shelter design are changing the recreational landscape.
3. Discuss current capabilities in shelter design.
4. Understand the difference between pre-engineered and site-built shelters.

The course is both AIA and LA CES approved and provides 1.25 credits.



Quality

ICON'S MANUFACTURING PROCESSES DELIVER STATE-OF-THE-ART QUALITY AND CRAFTSMANSHIP.

We take pride in our work every step along the way so that you can be confident your shelter will be enjoyed for years to come.

At ICON we understand that all projects are not the same, that's why we provide a variation of frame finishes to meet your specific needs. Choose from ICON's Premier Choice, Prime Painted, or Hot Dip Galvanized finishes to meet your specific needs.

Other options include Prime Painted:

- Steel is cleaned removing loose mill scale, rust, paint, and other detrimental foreign matter.
- The cleaned steel will then be prime painted with quick dry, lead and chromate free alkyd primed.
- Finish painting is completed in the field by installers.

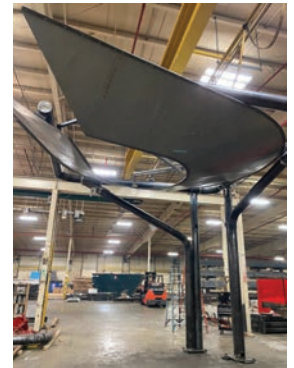
Or Hot Dipped Galvanized:

- Steel is cleaned removing loose mill scale, rust, paint, and other detrimental foreign matter.
- The cleaned steel is then immersed in a bath of molten zinc metal.
- The resulting galvanized steel requires no maintenance for decades.



ICON's Premier Choice includes a combination of liquid epoxy primer and two coats of TGIC polyester powder coating.

- Steel is shot-blasted to meet SSPC-SP10 specification (nearly white condition), removing all oil residue, mill scale, weld spatter, and slag.
- The steel is then immersed in zinc phosphate completing an 8-stage pre-treatment process.
- Next, liquid epoxy is electrostatically applied and coated to a uniform 0.7-0.9 mils. This **E-Coat Powdercoat** provides total encapsulation which prevents rusting.
- Lastly, a double coat of TGIC polyester powder is applied. One coat of color followed by one clear coating for a final finish that is 8-12 mils thick.



Centennial Commons Downtown Park Royal Oak, Michigan

FEATURED PROJECT



**SWIRLING ARCS CREATE A
COLORFUL FOCAL POINT TO
A PUBLIC LIBRARY.**

The Royal Oak Public Library used the Red Oak leaf for inspiration for the ideation of their new custom terrace. ICON worked with a design task force to develop swirling arcs of lime green to create a colorful overhead canopy, featuring uplighting to enhance the appearance after dark. The result is a perfect space where library patrons can gather, take a break, and enjoy the outdoors.

Grandville Farmers Market | Grandville, MI

FEATURED PROJECT



LOCATED IN THE HEART OF GRANDVILLE, LOCAL FARMERS MARKET GETS AN UPGRADE.

Farmers Markets are a place to support local farmers, musicians, artisans and to connect with your diverse community. ICON's custom Barrel Vault serves as protection from nature's elements to allow patrons to stay longer, and to create memorable experiences with their families and friends. The Copper Penny roof, which creates elevated distinction for this structure, was curved on site to follow the walking path below. The shelter features beautifully crafted tongue and groove planks and lights add to the pleasing and comforting experience.

Pearl Street Park | Charlotte, NC

FEATURED PROJECT



A REVITALIZED PARK HONORS A RICH HISTORY AND CELEBRATES TODAY'S COMMUNITY.

For many decades, Pearl Street Park has stood in the Brooklyn neighborhood of Charlotte. It originated, complete with gardens and sports fields, to provide park land to the African American population living in and around the area. Land for the park was purchased by the city from the Thompson Orphanage in 1943, and over the years has been the site of Victory Gardens, football practice for Second Ward High School, and many family gatherings. Today, it has been completely renovated while honoring its history and landscape. ICON worked in collaboration to design both a restroom and a multi-purpose pavilion which often hosts performances and community events, so the park can continue to serve families for many years to come.

Old Town Plaza | Elk Grove, CA

FEATURED PROJECT



GIVING A NOD TO A HISTORIC TRAIN DEPOT, THIS PROJECT GIVES THE TOWN A CENTRAL LOCATION TO HOST A RANGE OF EVENTS.

Gather at Old Town Plaza to discover the city's quaint history and charm. This massive collaboration features a custom Two-Tiered Interval Gabled Rectangular unit with beautifully crafted beams and custom masonry wraps. The structure will be used for anything from wedding receptions to outdoor concerts, to festivals and community events, and everything in between. Outdoor seating, a clock tower, and beautifully landscaped grounds round out this flawlessly manicured space.

Old Downtown | Las Vegas, NV

FEATURED PROJECT



**A GLOWING WORK OF ART
REVITALIZES SECTIONS OF
OLD DOWNTOWN LAS VEGAS.**

These eye-catching freestanding cantilevered structures line the promenade on 3rd Street between Bonneville and Charleston Avenue. Internal illumination increases pedestrian safety throughout late night hours while pulling inspiration from the famed Las Vegas strip.

Community Center | Piscataway, NJ

FEATURED PROJECT



A COMBINATION OF A BEAUTIFULLY CRAFTED FILTERED LIGHT ARBOR AND A TRADITIONAL GABLE SHELTER BRING VISUAL INTEREST AND SHADE TO A NEW JERSEY COMMUNITY.

Piscataway's renovated Community Center boasts a Filtered Light Arbor that provides patrons partial shade from the sun. By laser engraving wave-like designs that shine through the arbor, this filtered light arbor is custom made to pair perfectly with the splash pad. The Gable covers tables and chairs for taking a break, eating lunch, or catching up on some e-mails.

Mission Point | Mackinac Island, MI

FEATURED PROJECT



*Photo credit Ashley Slater Photography



MISSION POINT RESORT'S FABRIC SHELTER DEMONSTRATES A COLLABORATION OF DETERMINATION, A LITTLE CREATIVITY, AND A GORGEOUS OUTCOME.

Located on Mackinac Island, nestled right beside the ocean, this stunning Two-Tier Square Shade is used for weddings, receptions, and corporate retreats. Since no cars are allowed on the island, a combination of old-fashioned horse-pulled buggies and manpower were responsible for delivering material to the final site. The result is a breathtaking icon of celebration that also provides protection from the sun.

Structural Art

STYLE GUIDE



Structural Art

LOOKING FOR SOMETHING LESS CONVENTIONAL THAN A TRADITIONAL SHELTER TO FINISH YOUR PROJECT? LOOK NO FURTHER THAN STRUCTURAL ART.

This example of a non-traditional structure stands as the artistic centerpiece in Town Center's play space. It features two swings on one end, lighting, and misting nozzles throughout. The overlapping pops of color create an aesthetically pleasing work of art. ICON partnered with Studio 431, the custom structures division of Landscape Forms Inc.



Our goal is to bring to life unique and memorable structures. We work with clients through a series of conference calls to blend our engineering expertise with their artistic vision.

IRONWORKS

STYLE GUIDE



IRONWORKS

IRONWORKS RETRO-INDUSTRIAL SHELTERS AND FURNISHINGS TAKE THEIR CUE FROM EARLY 20TH-CENTURY RAILROAD BRIDGES AND TRAIN STATIONS.

There can be a certain beauty in exposed hardware. IRONWORKS celebrates these connections by making them fashionable focal points.

- I-Beam columns with rivet plates
- Architectural grade Southern Yellow Pine glu-lam rafters
- 2X6 Southern Yellow Pine T&G roof deck
- Rod & clevis ties or arched cross bracing
- Stainless steel fasteners



Craftsman

STYLE GUIDE



Craftsman

ICON DESIGNED THE CRAFTSMAN SERIES™ IN RESPONSE TO A REQUEST MADE BY A LANDSCAPE ARCHITECT LOOKING FOR SHELTERS THAT MIMIC THE STYLE OF HOMES BUILT IN THE EARLY DECADES OF THE 20TH CENTURY.

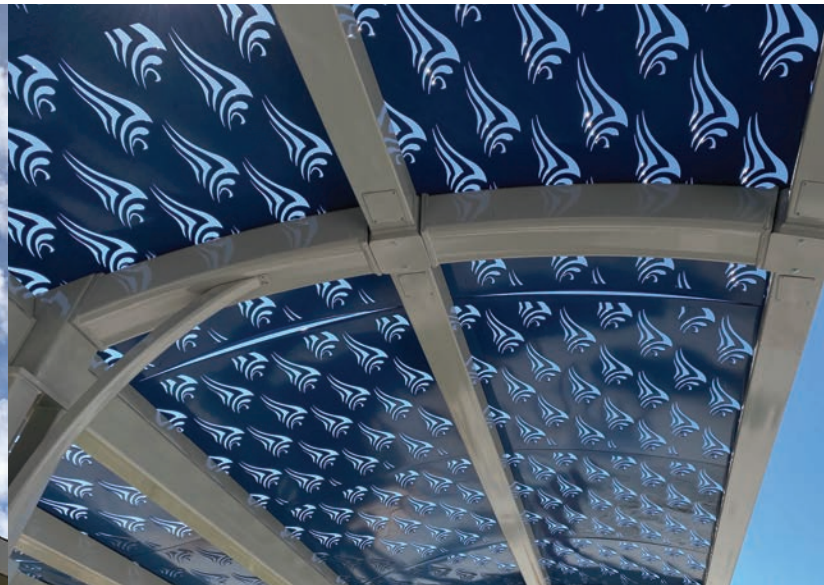
Available in multiple design configurations including Squares, Hexagons, Octagons, Gables, and Barrel Vaults.

- Sizes available: Between 10' and 60'
- Roof Pitch: 6/12; optional roof pitches between 3/12 and 12/12
- Roof Decks: Multi-Rib, Mega-Rib, Standing Seam, 2x6 T&G
- Additional roofing: Fiberglass Shingles



Filtered Light Arbors

STYLE GUIDE



Filtered Light Arbors

UNIQUE SHADOWS ARE CAST ONTO THE PAVEMENT WITH OUR FILTERED LIGHT ARBORS. THE ROOF PANELS ARE CUSTOM DESIGNED, LASER-CUT, AND POWDER COATED TO BE USED IN AN ENDLESS ARRAY OF CONFIGURATIONS.



Swings

STYLE GUIDE



Swings

INVOKE NOSTALGIA
AND MEMORIES OF
TIMES PASSED.

One of our most requested additions, ICON swings are intended for placement alongside trails, walkways, or any area you're inclined to take a pause and take in the scenery. Limited motion swings in all-steel, or steel with wood inserts, are featured in these swing structures.



Liveshade

STYLE GUIDE



Liveshade

LIVESHADE GREEN ROOF SHELTERS ARE AN EXCELLENT ILLUSTRATION OF OUR CUSTOM CAPABILITIES.

Liveshade has been designed and engineered to support the weight of a plant ecosystem. Our engineers work directly with each location to ensure the vegetation used is native to the area.



This structure is the perfect choice to add a captivating look and atmosphere to your space.

DSA Shelters

STYLE GUIDE



DSA Shelters

ICON'S TEAM OF KNOWLEDGEABLE ENGINEERS WORK DILIGENTLY TO CREATE HIGH-QUALITY DSA APPROVED SHELTERS.

While we do have pre-approved structures on file, we specialize in custom projects to meet the needs of every unique customer in the California Public Schools.



ICON DSA approved projects include Picnic Pavilions, Outdoor Classrooms, Stadium Seating Coverage, Parking Covers, Dugouts and Walkways.

Industry Standards

Industry Standard shelters are commonly found in the pre-engineered, manufactured shelter industry. These traditional shelters can be customized through a wide range of sizes and accessories.



Square Shelters

ROOF PITCH	ROOF DECKS	ADDITIONAL ROOFING
6/12 **	Mega-Rib	Fiberglass Shingles
	Multi-Rib	
	Standing Seam	
	2x6 T&G	

** Optional pitches between 4/12 and 12/12





Hexagon Shelters

ROOF PITCH	ROOF DECKS	ADDITIONAL ROOFING
6/12 **	Mega-Rib	Fiberglass Shingles
	Multi-Rib	
	Standing Seam	
	2x6 T&G	



** Optional pitches between 4/12 and 12/12

Octagon Shelters

ROOF PITCH	ROOF DECKS	ADDITIONAL ROOFING
6/12 **	Mega-Rib	Fiberglass Shingles
	Multi-Rib	
	Standing Seam	
	2x6 T&G	



** Optional pitches between 3/12 and 12/12





Rectangle Gable Shelters

ROOF PITCH	ROOF DECKS	ADDITIONAL ROOFING
4/12 **	Mega-Rib	Fiberglass Shingles
	Multi-Rib	
	Standing Seam	
	2x6 T&G	



* Standard bay spacing: 20'-0"

** Optional pitches between 5/12 and 12/12

Rectangle Hip Shelters

ROOF PITCH	ROOF DECKS	ADDITIONAL ROOFING
4/12 **	Mega-Rib	Fiberglass Shingles
	Multi-Rib	
	Standing Seam	
	2x6 T&G	



* Standard bay spacing: 20'-0"

** Optional pitches between 5/12 and 12/12



Barrel Vault Shelters

ROOF PITCH	ROOF DECKS	ADDITIONAL ROOFING
4/12 **	Mega-Rib	Fiberglass Shingles
	2x6 T&G	

* Standard bay spacing: 20'-0"

** Optional pitches between 5/12 and 12/12



Interval Shelters

ROOF PITCH	ROOF DECKS	ADDITIONAL ROOFING
8/12 - 12/12	Mega-Rib	Fiberglass Shingles
	Multi-Rib	
	Standing Seam	
	2x6 T&G	





Stretched Shelters

ROOF PITCH	ROOF DECKS	ADDITIONAL ROOFING
4/12 **	Mega-Rib	Fiberglass Shingles
	Multi-Rib	
	Standing Seam	
	2x6 T&G	



* Standard bay spacing: 20'-0"

** Optional pitches between 5/12 and 12/12

Dual Slope Shelters

ROOF PITCH	ROOF DECKS	ADDITIONAL ROOFING
4/12 **	Mega-Rib	Fiberglass Shingles
	Multi-Rib	
	Standing Seam	
	2x6 T&G	



* Standard bay spacing: 20'-0"

** Optional pitches between 5/12 and 12/12



Decagons and Dodecagons

ROOF PITCH	ROOF DECKS	ADDITIONAL ROOFING
6/12 **	Mega-Rib	Fiberglass Shingles
	Multi-Rib	
	Standing Seam	
	2x6 T&G	



* Standard bay spacing: 20'-0"

** Optional pitches between 5/12 and 12/12

Mono-Slopes

ROOF PITCH	FLAT ROOF DECKS
4/12 **	Mega-Rib
	Multi-Rib
	Standing Seam
	2x6 T&G



* Maximum bay spacing: 20'-0"

** Optional pitches between 3/12 and 8/12



Other Structures

Mini-Shelters

ROOF PITCH	ROOF DECKS	ADDITIONAL ROOFING
4/12 **	Mega-Rib	Fiberglass Shingles
	Multi-Rib	
	Standing Seam	
	2x6 T&G	



* Standard bay spacing: 20'-0"

** Optional pitches between 5/12 and 12/12

Bandshells

ROOF PITCH	ROOF DECKS	ADDITIONAL ROOFING
3/12 - 12/12 **	Mega-Rib	Fiberglass Shingles
Curved Roof	Multi-Rib	
	Standing Seam	
	2x6 T&G	



* Standard bay spacing: 20'-0"

** Roof pitches vary between 3/12 - 12/12 and curved





Partial Shade & Arbors

Beyond your basic garden arbor. These structures can be all steel, all wood, or a combination of both. Perforated, laser cut, and fabric shades can be integrated into the structure.





Entry Arches

Options and accessories:

- Curved arches
- Laser-cut medallions
- Color vinyl medallions
- Custom laser-cut arches
- Laser-cut lettering
- Custom shapes and sizes



Pedestrian Bridges

Bridges are available in widths from 4' to 8' wide, and lengths up to 60' in length. Handrails for bridges can be selected from the options on page 63.



Mailbox Shelters

ROOF PITCH	ROOF DECKS	ADDITIONAL ROOFING
4/12 **	Mega-Rib	Fiberglass Shingles
	Multi-Rib	
	Standing Seam	
	2x6 T&G	



* Standard bay spacing: 20'-0"

** Optional pitches between 5/12 and 12/12



Clock Towers

Clock Towers are highly customizable and are available in a multitude of sizes. They can include GPS systems, illumination, and specialized clock faces.

ILLUMINATION	TIME CONTROL	POWER
Back-lit	with GPS control	120V/220V AC
Non-Illuminated	without GPS control	7-year Lithium Battery (Non-illuminated only)



Umbrella Shelters

ROOF PITCH	ROOF DECKS	ADDITIONAL ROOFING
6/12 **	Mega-Rib	Fiberglass Shingles
	Multi-Rib	
	Standing Seam	
	2x6 T&G	

* Standard bay spacing: 20'-0"

** Optional pitches between 3/12 and 5/12



Message Shelters

ROOF PITCH	ROOF DECKS	ADDITIONAL ROOFING
3/12 - 6/12	Mega-Rib	Fiberglass Shingles
	Multi-Rib	
	Standing Seam	
	2x6 T&G	



Fabric Shades

ICON produces rectangular, square hexagonal and octagonal fabric shelters, shade sails, and custom structures using a combination of materials to achieve the design intent.



Warranty

ICON'S WARRANTY AND TERMS

ICON LIMITED WARRANTY

ICON Shelter Systems, Inc. warrants to the original purchaser of its products that it will provide materials free from manufacturing defects, that will be structurally sound, and can be assembled with normal expertise and tools required and practiced in the construction industry. The limited warranty is for a period of ten (10) years from the date of invoice with the following terms and conditions:

This warranty is in effect only if the structure has been assembled and installed strictly in accordance with ICON installation drawings and good construction practices and has been subjected only to normal use and exposure.

This warranty is valid only if the structures are maintained according to proper maintenance procedures; have been subjected to only normal use for the purpose for which the goods were designed; have not been subjected to addition or substitution of parts; and have not been modified, altered, or repaired without the approval of an Icon Shelter Systems' approved representative in any respect which, in the judgment of Icon Shelter Systems, affects the condition or operation of the structures.

The owner shall notify ICON to arrange for an inspection within thirty (30) days after discovery of any defect under this warranty, and before any alteration or repair is made or attempted.

ICON is in no way responsible for damages caused by others, including vandalism,

fire, lightning, or acts of God, corrosion caused by moisture, chemicals, air or salt spray, pollution, or infestation by rodents or other vermin.

FULL WARRANTY

For a full detailed warranty scan the QR code below



TERMS

Accounts that have been authorized have a 30-day net payment period.

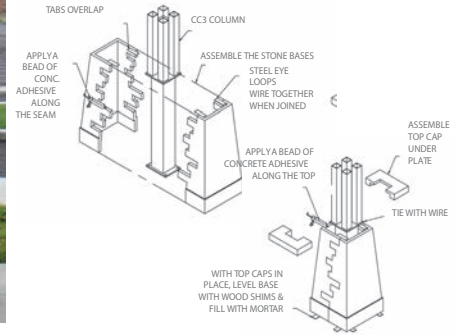


Call us to learn more at
800-748-0985 or visit
ICONSHelters.COM

Customizations

I-ROCK GFRC STONE BASES

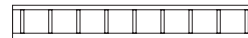
ICON developed a pre-cast faux stone base to simulate stacked ledge rock piers. Cast in two section of glass-fiber reinforced concrete (GFRC) and joined onsite, I-Rock Bases eliminate the need to have a stone mason custom build piers.



* Multiple stone color options available. Contact us to see all options.

ORNAMENTATION

Craftsman ornamental rails for eaves and clerestory.



Open Pane Ornament



Simulated Leaded Glass Ornament

PEAK TREATMENTS

Cupolas or a Finial Peak Cap are available to provide a polished finish.



Craftsman Series™
Cupola



Craftsman Series™
Finial Peak C

VENTED AND CLERESTORY ROOFS

Most ICON Industry Standard Shelters are available in multiple roof tier configurations. Two tiers are available on all shelters while three tiers are available on shelters over 24'. The Clerestory roof provides room to install ornamental rails or louvered vent closures.

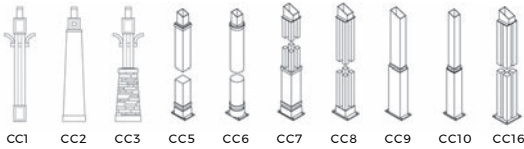


Interior view of Vented roof option



Interior view of Clerestory roof option

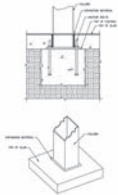
OPTIONAL COLUMNS



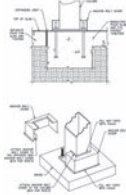
COLUMN-TO-BASE CONNECTION



Standard base connection



Surface mount with base covers



WEATHERVANES

Sometimes it's the little things. Accessorize your shelter peaks, ridges and cupolas with a standard weathervane. From roosters to horses to bald eagles and maps, make a statement with this small but striking addition.

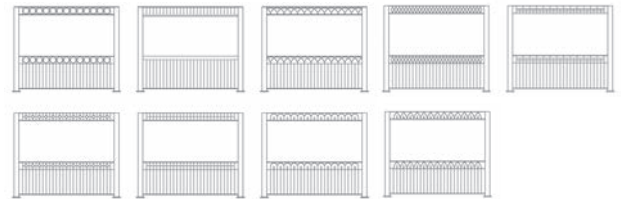
CUPOLAS

Cupolas add flare, turning a shelter into a statement shelter. ICON offers a variety of cupolas using glass, steel rods, shutters, and ornamental detail to meet both traditional and modern design aesthetics. Don't see what you like? Contact us for a custom design.



HANDRAILS AND ORNAMENTATION

Ornamental Rails are another way to create a more signature look and can be added to most ICON structures. ICON has a variety of standard designs inspired by common architectural influences. Like many of our accessories, ICON's creative designers can help create a custom look specific to your project.





GABLE TREATMENTS

A creative way to add a small touch is with a Gabled Treatment. Ideas include spires, laser-cut medallions and rod and clevis ties.



CLOCKS

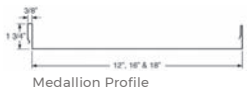
Clocks are a classic addition, practical as well as charming. Clocks can be mounted onto a shelter cupola or frame.



EMBLEMS & SIGNS

For a fully personalized experience, ICON can add your logo, emblem, or artwork to your shelter. Create an impactful statement and represent the core of your community.

Primary Roof Decks for Steel Frame Structures



Medallion Profile



Mega-Rib Profile



Multi-Rib Profile

24 GAUGE STEEL PANELS

The 24 ga. galvalume roof panels have a Kynar 500 paint finish. Multi-Rib and Mega-Rib are 36" wide panels that are pre-cut in our factory to fit your shelter. Medallion-Lok standing seam is provided uncut, to be cut to fit in the field by others.

All steel roof panels have a standard, white-washed color on the underside of the panel. This will be visible without a sub roof deck.

2X6 TONGUE AND GROOVE

The 2x6 tongue and groove (T&G) wood roof is kiln dried Western Lodgepole Pine. T&G requires finished roofing materials.

Color & Roof Decking Options

24 GAUGE STEEL ROOF COLORS



WOOD SHELTER FRAME & ROOF DECKING



STANDARD POWDER COAT COLORS



PREMIUM POWDER COAT COLORS*



*Available for an additional charge.

Contact us to discuss custom color options.

****Please note, this is a representation of ICON's colors. Actual colors may vary.**



1455 LINCOLN AVENUE
HOLLAND, MI 49423

800.748.0985



ICONSHELTERS.COM

A world of **SHADE**

PRODUCT
CATALOG



USA SHADE
& Fabric Structures



We inspire stunning outdoor spaces through the benefits of shade.

For nearly 3 decades, USA SHADE & Fabric Structures has been the pioneer, innovator and proven industry leader in fabric shade structure design and technology. As a vertically integrated business, we have the unparalleled capacity to deliver the best shade structures for all types of applications and markets. We stand by the quality of work our customers receive, from design to installation—***we've got you covered.***

Find the solution to your next project



squares and rectangles 7-12



multi-sided 13-16



sails 17-18



suspended/cantilever 19-24



other 25-28



inspiration 29-32



finishes/powder coat colors 33



fabrics 34





Activate spaces and improve the outdoor experience



Safeguards against sun and weather damage



Increase airflow and comfort



Blocks up to 98% of harmful UV rays



Low maintenance



10-year warranty

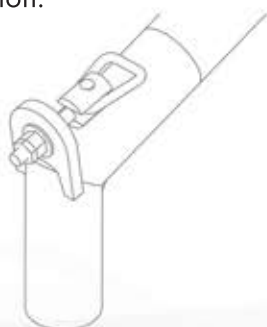


25-degree temperature reduction keeps seating and play surfaces cool

Quick release



Quickly remove and reattach fabrics for winter storage or extreme weather conditions with our quick release (QRE) option.



Range of sizes available

Our shade structures have a range of sizing options available to suit your needs. To choose the right size for your space, discuss your upcoming project with a representative.







slant hip



hip



two post hip

Hip

10'x12' to 50'x55'



Hip Multi-Panel

18'x20' to 50'x55'



Hip Joined

Combine Hip or Multi-Panel into a variety of sizes



Two Post Hip

10'x12' to 14'x22'





Hip The workhorse of our product line, the Hip structure is a simple design and cost-effective solution for shading a wide variety of spaces.

Hip Extended

10'x24' to 30'x60'

(Extended frames that are a single top hip up to 30' wide and 60' long)



Hip Double-Wide

Combine Hip or Hip Multi-Panel into a variety of sizes



Slant Hip

10'x12' to 40'x40'



Mariners joined



Mariner Pyramid

10'x10' to 50'x50'

The Mariner Pyramid structure provides shade similar to our Hip or Pyramid designs but features multi-panel shade layers that create a striking presence.



Wave

20'x20' to 35'x35'

Designed to mimic the look of a wave, our Wave structure features a peak-and-valley shape, adding excitement and movement to any application.

Super Span

Our massive Super Span structures provide maximum shade for larger outdoor areas including basketball courts, mass automotive coverage, and outdoor seating spaces.

Super Span Hip

Up to 60'x60'

6-Column Super Span Hip

Up to 60'x100'

Super Span Pyramid Multi-Level Multi-Panel

Up to 60'x60''





Squares and Rectangles

Pyramid

Our Pyramid structures feature a square, peak-roofline design and can be joined together to cover a larger footprint.



Pyramid

10'x10' to 35'x35'

Pyramid



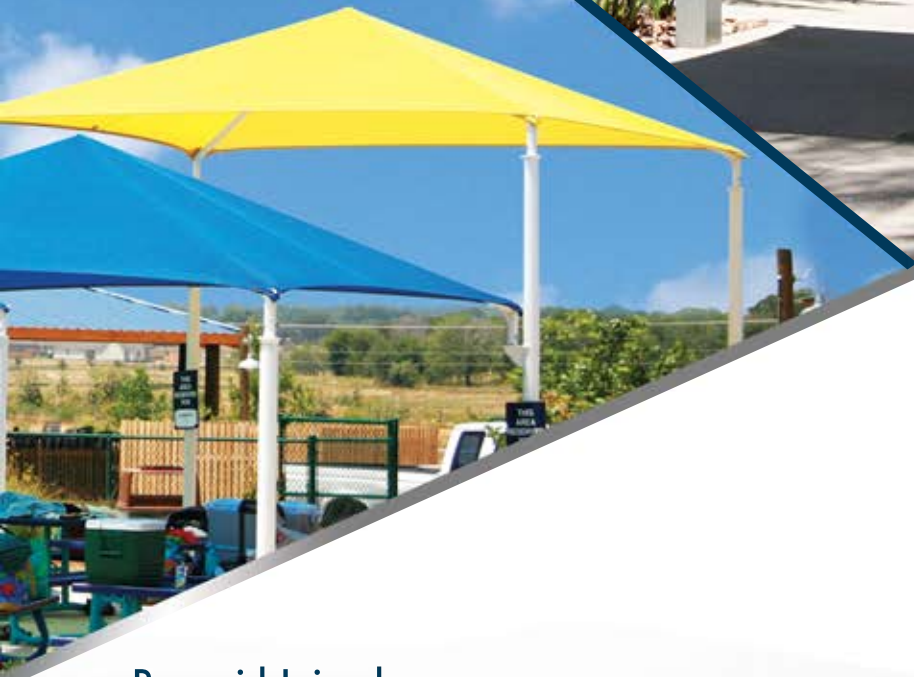
Pyramid Multi-Panel



Single Post Pyramid

8'x8' to 24'x24'

Single Post Pyramid



Pyramid Multi-Panel

18'x18' to 35'x35'



Pyramid Joined

Available in a variety of combined sizes from single top or multi-panel.



Squares and Rectangles

Multi-Sided

From three to eight sides and shapes of all kinds, our multi-sided shade structures offer a variety of options for all applications.



Triangle



Hexagon

For areas that require zero obstruction from a center column, the Hexagon is ideal, with six columns around the perimeter.



Hexagon

20' to 50'



Hexagon Multi-Panel

20' to 50'



Octagon

30' to 80'

Our Octagon structure is an ideal solution for shading areas up to 80' in diameter without the obstruction of a center column.



Triangle

18' to 30'

For asymmetrical, elongated areas, our Triangle can be an ideal shade solution.



Multi-Sided



Single Post Octagon



Single Post Hexagon

10' to 20'

The Single Post Hexagon is a single-column structure with six fabric attachment points and a pointed top.

Single Post Octagon

10' to 20'

The Single Post Octagon is a single-column structure with eight fabric attachment points and a pointed top.





Coolbrella



Coolbrella

12' to 20'

The Coolbrella is a commercial-grade, permanent umbrella canopy featuring one support column with one frame-tensioned fabric roof section. Available in a variety of colors with fabric tops that can be removed easily without wheels, wires or pulleys.

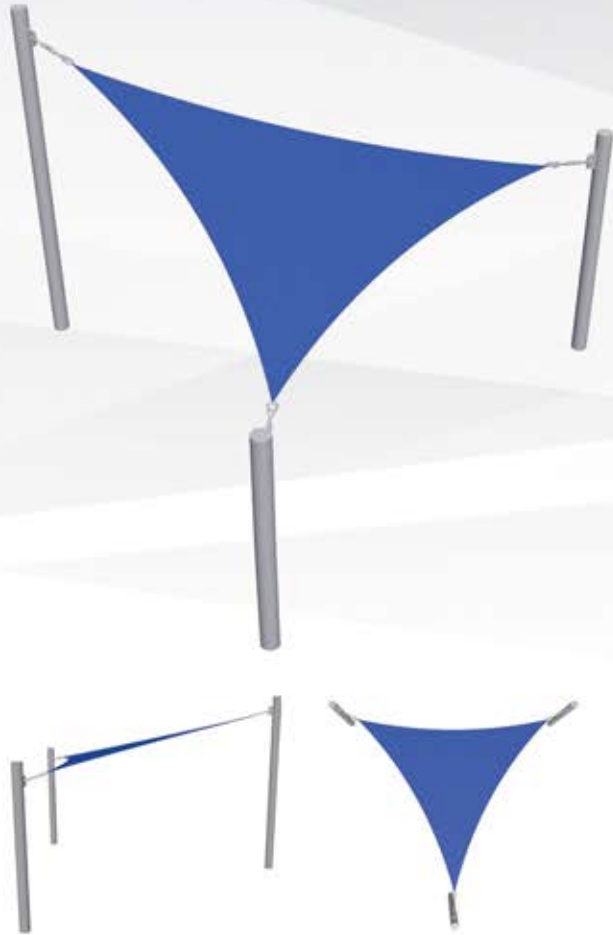
Mariner Hexagon

30' to 45'

The Mariner Hexagon is available in diameters up to 45' and incorporates upper and lower fabric layers, giving the structure a unique appearance.



Multi-Sided



3-Point Sail

Up to 50' per side

Our 3-Point Sail structure features a high-end design with a unique triangular shape, giving outdoor spaces a sophisticated look.

4-Point Hypar Sail



3-Point Sail



4-Point Hypar Sail

Up to 60' per side

Our 4-Point Hypar Sail structure features columns of varying heights, allowing the fabric to be formed into a hyperbolic shape.



Single Post
Pyramid Cantilever

Single Post
Pyramid Cantilever



Single Post Pyramid Cantilever

8'x8' to 20'x20'

Our Single Post Pyramid Cantilever structure is ideal for spaces like walkways and poolside lounges that need shade without column obstructions.

Suspended/Cantilever

Panorama

Our Panorama cantilever design is an elegantly arched roof that is suited to provide shade over areas that require unobstructed spaces like walkways, bus stops, or automotive parking.

Single

23'x27'



Joined

Combine singles into a variety of lengths



Cantilever Arch Walkway

The Cantilever Arch Walkway is a cantilever structure with a curved arch that can provide shade over long stretches of space without obstructing walkways or paths underneath.

Single

12'x20'



Joined

Combine singles into a variety of lengths



Full Hip Cantilever

These structures can be utilized for a variety of applications needing unobstructed space on one side such as seating areas, benches, and parking lots.

Single

10'x12' to 20'x40'



Joined

Combine singles into a variety of lengths



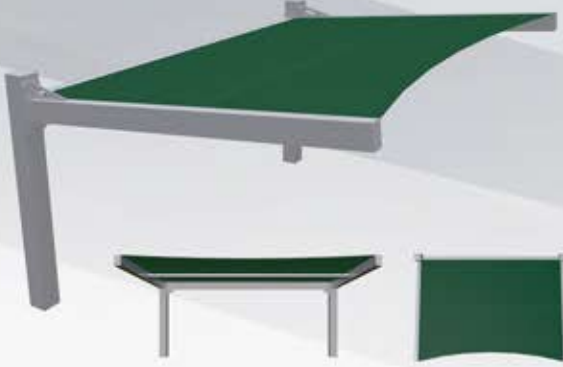
Double-Wide

Combine singles into a variety of lengths and widths



Single

10'x24' to 20'x30'



Joined

Combine singles into a variety of lengths



Double-Wide

20'x24' to 40'x40'



Double-Wide Joined

Combine singles into a variety of lengths and widths



Slanted Cantilever Wing Cabled

Slanted Cantilever Wing Cabled

Much like the Full Cantilever Hip design, the Slanted Cantilever Wing has two columns and a tilted top to increase shade coverage for spaces exposed to harsh sunlight at an angle.



Suspended/Cantilever



Aquarius



Cantilever Disc

Aquarius

14'x22' or 18'x26'

Our elegant Aquarius design is a sculptural shade solution with curved steel purlins and generous shade coverage.



Cantilever Disc

15' to 20'

Our Cantilever Disc structure is a minimalistic design of a framed circular fabric shade suspended by a curved column.



Flower

Our Flower structure is a whimsical design constructed with five fabric panels available in Petals-Up, Petals-Flat or Petals-Down configurations.

Petals-Up

22'x21'



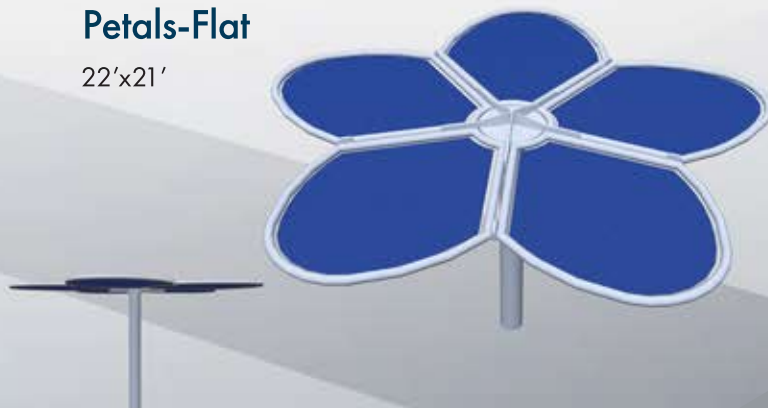
Petals-Down

22'x21'



Petals-Flat

22'x21'



Other



Pegasus



Lifeguard

Lifeguard

8'x9' to 10'x11'

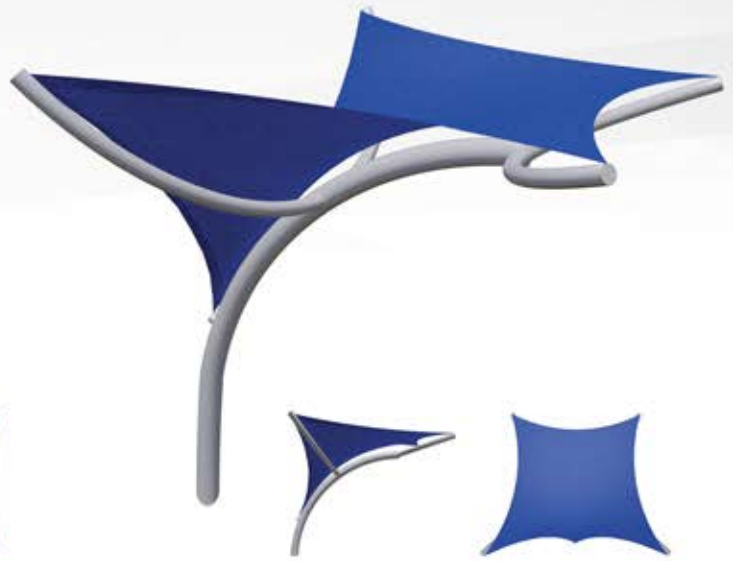
Our Lifeguard structures provide heat and UV protection for those who need to stay cool and be ready to make a water rescue at a moment's notice.



Pegasus

12'x9', 16'x12' or 20'x16'

Pegasus is a distinctive and elegant fabric structure designed to make a strong architectural statement with shade.



Butterfly

The Butterfly is a unique structure constructed with eight fabric panels that can be adapted for Wings-Up, Wings-Flat or Wings-Down configurations.

Wings-Up

22'x21'



Wings-Down

22'x21'



Wings-Flat

22'x21'



Other



Inspiration

At USA SHADE, our capabilities go above and beyond our standard offering to provide worldclass shade solutions for any type of project. Through collaboration with our customers, our design experts, and our seasoned engineers, we bring custom project ideas to life.



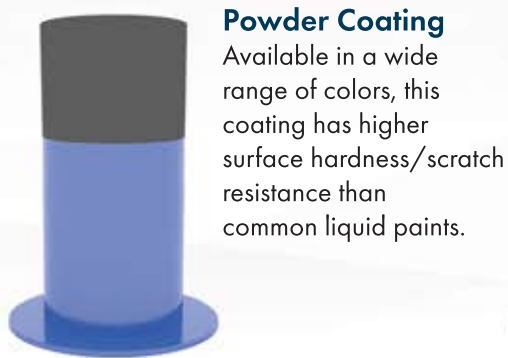




See more innovative and custom designs at
usa-shade.com

Finishes/Powder Coat Colors

Following a thorough cleaning, we apply your choice of finishes to our steel structures:



Powder Coating

Available in a wide range of colors, this coating has higher surface hardness/scratch resistance than common liquid paints.

- Powder Coating
- Steel



Zinc-Rich Primer

Added corrosion protection around areas such as pools, reclaimed water irrigation and salt water.

- Powder Coating
- Zinc-Rich Primer
- Steel



Hot-Dip Galvanizing

The steel is dipped in zinc, then powder coated or wet-painted to resist corrosion in areas with salt water or high humidity.

- Powder Coating
- Hot-Dip Galvanizing
- Steel



BLACK
115618BLK



COBALT
115618CBB



BLUE
115618BLU



FOREST GREEN
115618FRG



RED
115618RED



YELLOW
115618YLW



DARK BROWN
115618DBW



LIGHT IVORY
115893



WHITE
115618WHT



TELE-GRAY
115892

The samples of the colors of the steel and the fabrics shown in this document are for demonstrative purposes and are subject to the printing capacities. Please contact us for physical samples of fabric and steel colors.. Contact your rep for warranty details.

Fabrics

USA SHADE uses the best materials available including HDPE, a high-density polyethylene mesh, which can block out up to 98% of the sun's harmful UV-A and UV-B rays. We offer a variety of materials with varying degrees of UV and weather protection, fire retardance, and non-combustibility. All of our fabrics are easy to maintain, providing protective shade and vibrant color over a long period of time.

SHADESURE™

PASSES: NFPA 701 / ASTM-E84



ELECTRIC PURPLE
84% shade factor
90% UV factor



NAVY BLUE
90% shade factor
94% UV factor



ROYAL BLUE
86% shade factor
94% UV factor



LAGUNA BLUE
92% shade factor
96% UV factor



TURQUOISE
83% shade factor
92% UV factor



RAIN FOREST
89% shade factor
96% UV factor



OLIVE
93% shade factor
97% UV factor



ZESTY LIME
83% shade factor
92% UV factor



CHOCOLATE
92% shade factor
93% UV factor



CINNAMON
88% shade factor
93% UV factor



SUNFLOWER YELLOW
70% shade factor
94% UV factor



ARIZONA
86% shade factor
91% UV factor



DESERT SAND
80% shade factor
92% UV factor



TERRACOTTA
84% shade factor
90% UV factor



BLACK
95% shade factor
96% UV factor



SILVER
88% shade factor
93% UV factor



WHITE
57% shade factor
86% UV factor



RED
80% shade factor
86% UV factor



ATOMIC ORANGE
82% shade factor
94% UV factor



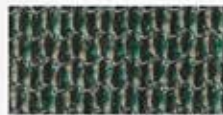
MULBERRY
90% shade factor
91% UV factor

COLOURSHADE® FR

PASSES: NFPA 701 / ASTM-E84 / CSFM TITLE 19



BLUE
80% shade factor
85% UV factor



GREEN
80% shade factor
85% UV factor



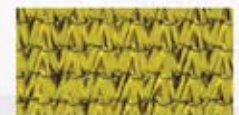
RED
80% shade factor
86% UV factor



TERRACOTTA
75% shade factor
82% UV factor



DESERT SAND
80% shade factor
92% UV factor



YELLOW
80% shade factor
89% UV factor



SILVER
80% shade factor
81% UV factor

EXTREME 32

PASSES: NFPA 701



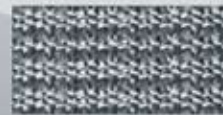
DESERT SAND
80% shade factor
92% UV factor



RAINFOREST
89% shade factor
96% UV factor



ROYAL BLUE
86% shade factor
94% UV factor



SILVER GREY
88% shade factor
93% UV factor



usa-shade.com 800-966-5005

For more inspiration and information on our shade structures, visit our website at usa-shade.com.

Contact our office today and see how we can help with your shade project.



Copyright © 2020 by Shade Structures, Inc.
All rights reserved

